

Metal-bodied safety switch with personnel protection function in forward and reverse movement

ENM2-AHZ

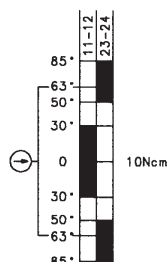
Protection class IP 65



Designation	ENM2-U1Z AHZ
Part number	608.7135.030
Circuit diagram	
<p>⊕ Forced disconnect to IEC 947-5-1 chapter 3</p> <p>Za: not galvanically separated contacts</p> <p>Zb: galvanically separated contacts</p>	<p>⊕ Zb</p> <p>●/-</p>
Slow make & break/snap-action	iw
Internal seal (iw)/external seal (w)	

Designation	ENM2-U1Z AHZ
Part number	608.7135.030
Circuit diagram	
<p>⊕ Forced disconnect to IEC 947-5-1 chapter 3</p> <p>Za: not galvanically separated contacts</p> <p>Zb: galvanically separated contacts</p>	<p>⊕ Zb</p> <p>●/-</p>
Slow make & break/snap-action	iw
Internal seal (iw)/external seal (w)	

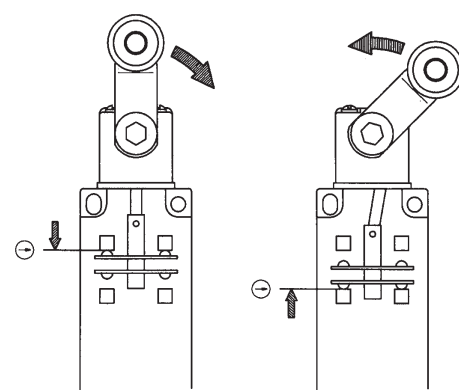
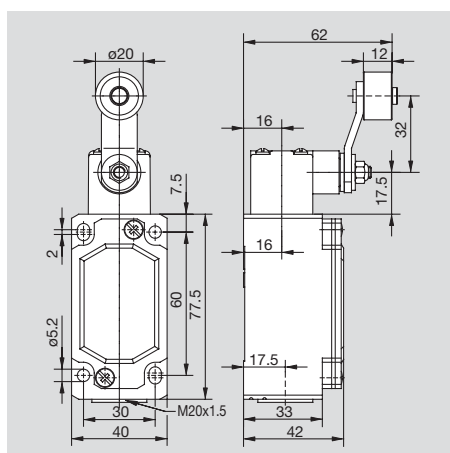
Switching angle ° Tol. ± 3.5°		Actuator torque Ncm Tol. ± 10%
	On	Off



Voltage	max.	400 V AC
Permanent current	max.	10 A
In-rush current complies with standards		●
IEC 947-5-1 AC 15/DC 13		
Switching frequency	max.	100/min.
Mechanical life – number of switching actions		1 x 10 ⁶
Operating temperature	min./max.	-30 °C/+80 °C -22 °F/+176 °F
Approvals		BG, UL, CSA
Weight		0,28 kg/0,62 lb
Delivery: ex-stock/built to order		●/-

Voltage	max.	400 V AC
Permanent current	max.	10 A
In-rush current complies with standards		●
IEC 947-5-1 AC 15/DC 13		
Switching frequency	max.	100/min.
Mechanical life – number of switching actions		1 x 10 ⁶
Operating temperature	min./max.	-30 °C/+80 °C -22 °F/+176 °F
Approvals		BG, UL, CSA
Weight		0,28 kg/0,62 lb
Delivery: ex-stock/built to order		●/-

All dimensions in mm (inch)



Forced disconnect in forward and reverse travel AHZ

For special safety applications the forced disconnection of the NC contacts is not only achieved in the forward direction, but also in the reverse direction (back to standard position). For operator safety applications the roller must be positively guided in both directions.