

Technical Data

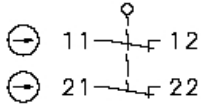
Plastic bodied limit switch

Series I88

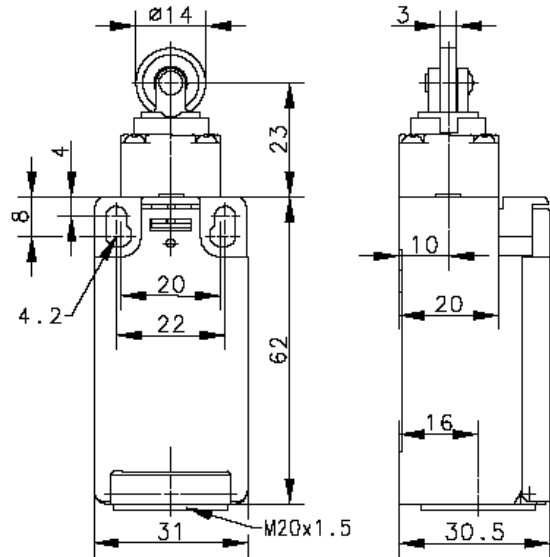
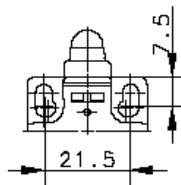
Description **I88-A2Z-RIWL**

Article number **608.6817.072**

Operating symbol



Fixed positioning for
safety applications
Mounting screw
according to DIN 912 M5



Electrical data

Rated insulation voltage	U_i	250V AC
Conv. thermal current	I_{the}	10A
Rated operational voltage	U_e	240V
Utilization category		AC-15, U_e/I_e 240V/3A
Positive opening NC contact	\ominus	acc. to IEC/EN 60947-5-1, Annex K
Short-circuit protective device		Fuse 2A gL/gG
Protection class		II, totally insulated

This document will not become the contractual basis; the details included herein do not constitute any descriptions of expected conditions, so that warranties/claims for defects on account of possible variations of the actual qualities from the qualities described herein are explicitly excluded. All rights reserved. Specifications subject to change without notice!

Date of issue: 29.03.2006 / Page 1 of 2
Document : 6086167051_en / Last update : 1 / 2296-06