

# Technical Data

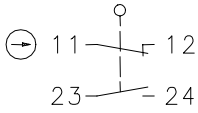
## Plastic bodied limit switch

### Series I88

Description **I88-U1Z VKW RE**

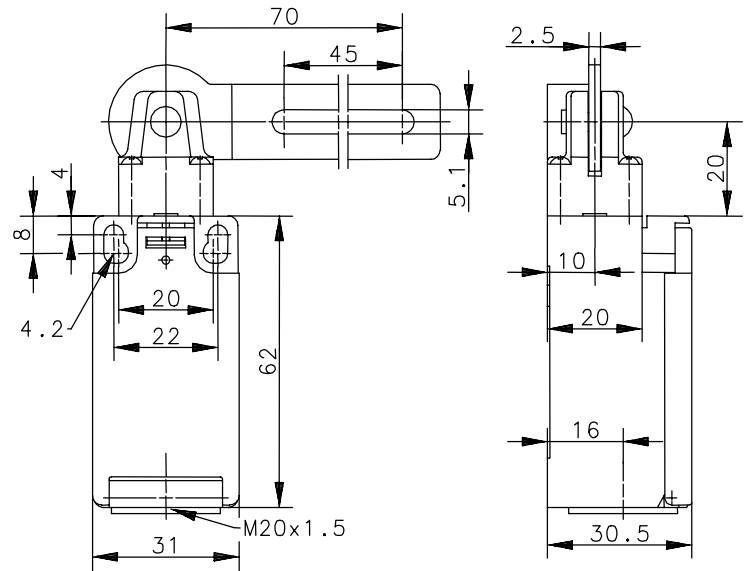
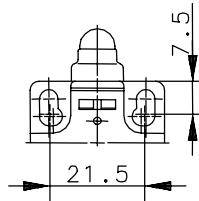
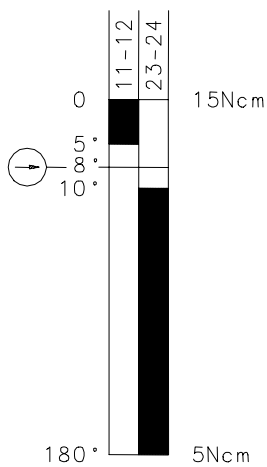
Article number **6086100094**



Operating symbol



Fixed positioning for  
safety applications  
Mounting screw  
according to DIN 912 M5

Operating diagram



  Tolerance:  
 On Off Operating point  $\pm 3,5^\circ$ ;  
 Operating torque  $\pm 10\%$

### Electrical data

Rated insulation voltage	$U_i$	250V AC
Conv. thermal current	$I_{the}$	10A
Rated operational voltage	$U_e$	240V
Utilization category		AC-15, $U_e/I_e$ 240V/3A
Direct opening action	$\ominus$	acc. to IEC/EN 60947-5-1, Annex K
Short-circuit protective device		Fuse 10A gL/gG
Protection class		II, totally insulated

This document will not become the contractual basis; the details included herein do not constitute any descriptions of expected conditions, so that warranties/claims for defects on account of possible variations of the actual qualities from the qualities described herein are explicitly excluded. All rights reserved. Specifications subject to change without notice!

Date of issue: 27.09.2005 / Page 1 of 2  
 Document : 6086100094\_en / Last update : 1 / 2851-05

# Technical Data

## Plastic bodied limit switch

<b>Mechanical data</b>	
Enclosure	Thermoplastic, glass fibre reinforced (UL 94-V0)
Cover	Thermoplastic, glass fibre reinforced (UL 94-V0)
Actuator	Lever (metal)
Ambient air temperature	-30°C ... +80°C
Contact type	1 NC, 1 NO (Zb)
Mechanical life	1 x 10 <sup>6</sup> switching cycles
Switching frequency	≤ 50/min
Assembly	2 x M4
Connection	4 screw connections (M3,5)
Conductor cross-sections	Solid: 0,5 ... 1,5mm <sup>2</sup> Litz wire with ferrules: 0,5 ... 1,5mm <sup>2</sup>
Cable entrance	1 x M20x1,5
Weight	≈ 0,09kg
Installation position	Operator definable
Protection type	IP65 acc. to EN 60529; DIN VDE 0470 T1
<b>Standards</b>	
	VDE 0660 T100, DIN EN 60947-1, IEC 60947-1 VDE 0660 T200, DIN EN 60947-5-1, IEC 60947-5-1
<b>EU Conformity</b>	
	<b>CE</b>
<b>Approvals</b>	
	BG cCSAus A300 (same polarity)

### Notes

The degree of protection (IP code) specified applies solely to a property closed cover and the use of an equivalent cable gland with adequate cable.