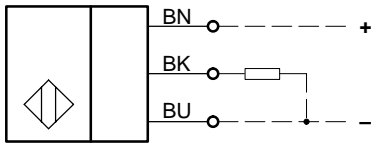


Technical Data Photoelectric – Analog Sensor

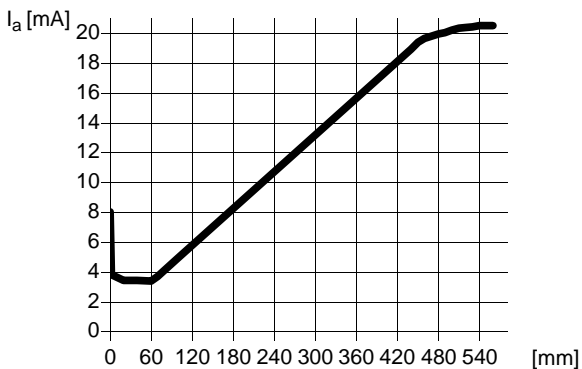
Type: **OT30RT-DDAP-0500-CE**

Part.-No.: **655.7005.006**

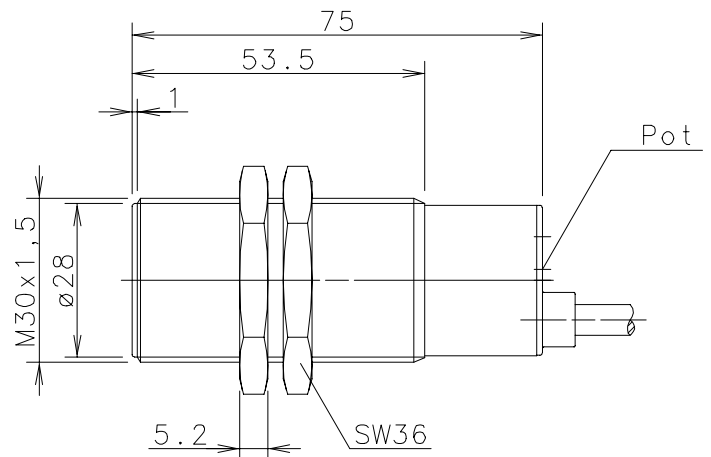
Wiring Diagram



Typical Output Signal



diffuse reflective target, white; 200 x 200 mm²



Technical Data according to EN 60947-5-2

Electrical Data

Operational voltage range	U_B	10 – 30V DC
Output current	I_{max}	< 25mA
Wrong polarity and transient protection		yes
Voltage drop	U_d	≤ 5V
Output		PNP-Transistor, current source, analog
No-load supply current	I_0	< 50mA
Type of protection		IP 65
Ambient air temperature		0°C ... +70°C
Best temperature for storage		-20°C ... +80°C
Lightsource		infrared 880nm
Ambient light proof		> 10000Lux
Sensing range		500mm (adjustable with potentiometer)
Output function		4 ... 20mA (see diagram)
Reaction time	t_r	≤ 1ms
Time delay before availability	t_v	< 0,1s

Materials

Housing	PA 6
Beam-output	PA 12
Connection	Cable 3 x 0,5mm ² x 2m; PVC-Outer jacket, black