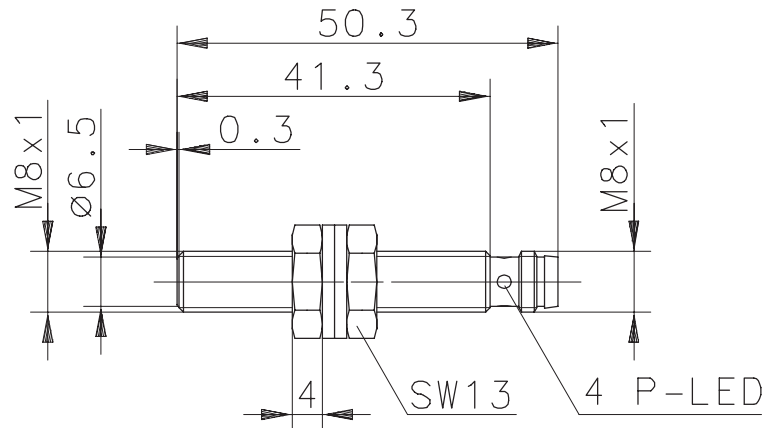
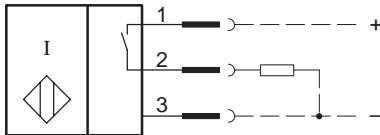


# Technical Data Inductive Proximity Switch

Type: **KIB-M08PS/1,5-KLSM8**

Part.-No.: **650.2942.005**

## Wiring Diagram



## Technical Data according to EN 60947-5-2

### Electrical Data

Operational voltage range	$U_B$	10 – 36V DC
Rated insulation voltage	$U_i$	75V DC
Rated impulse withstand voltage	$U_{imp}$	500V
Voltage drop	$U_d$	$\leq 1,5V$
Utilization category		DC-13
Rated operational current	$I_e$	$\leq 200mA$
Off-state current	$I_r$	$< 0,3mA$
No-load supply current	$I_0$	$\leq 11mA$
Type of protection		IP 67 (only in fully locked position with it's plugs)
Short-circuit protection		pulsed
Rated operating distance	$s_n$	1,5mm
Assured operating distance	$s_a$	0 ... 1,2mm
Repeat accuracy	R	$\leq 5\%$
Differential travel (hysteresis)	H	$\approx 10\%$
Frequency of operating cycles	f	1000Hz
Switching function		DC, N.O.
Mounting		flush
False polarity protection		yes
Output		permanent overload and s.c.p.
Time delay before availability	$t_v$	$\leq 50ms$

### Elektromagnetic compatibility (EMC)

Electromagnetic field test	IEC 61000-4-3
Electrostatic discharge test	IEC 61000-4-2
Electrical fast transient immunity test	IEC 61000-4-4
Radiated disturbance field strength	EN 55011
Impulse voltage withstandability	IEC 255-5

### Mechanical Data

Operating temperature	-25°C bis +70°C
Front cap	PA 6.6, black
Housing	stainless steel (Niro 1.4305)
Indication	LED, yellow
Termination type	plug socket
For attachment	2 x hexagon nut and 2 x toothed washer