



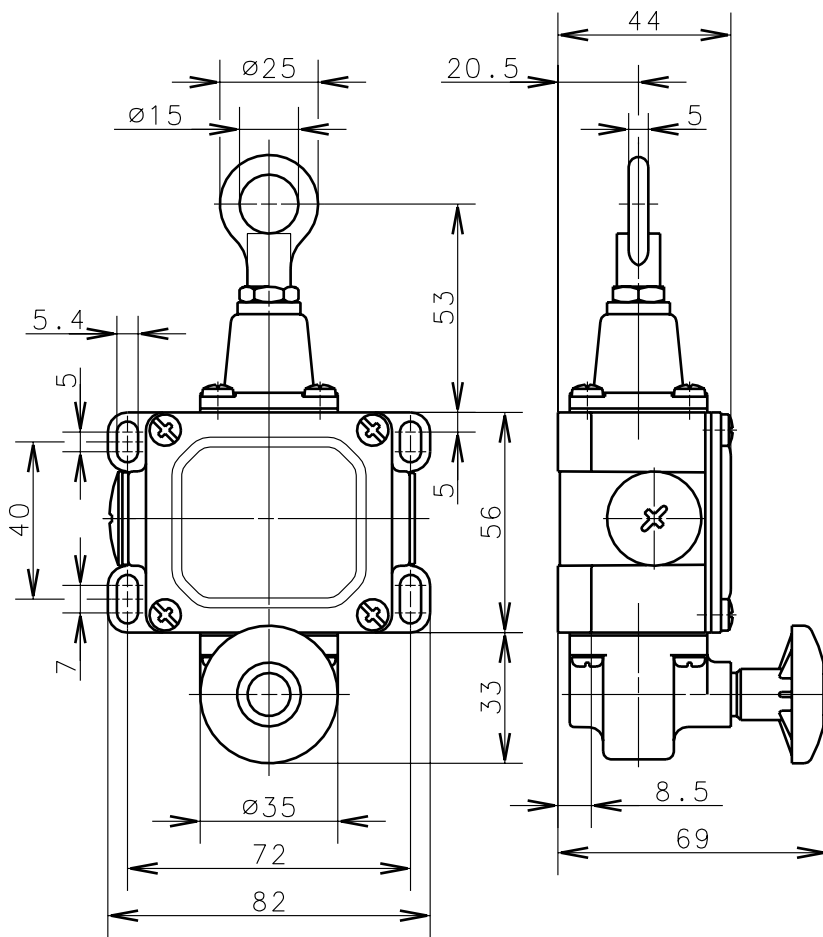
Bernstein

Bernstein AG
Postfach 1164
D-32437 Porta Westfalica

Technical data sheet

SiD-UV1Z P-Rast

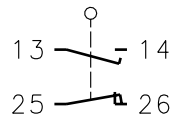
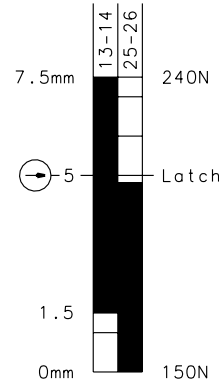
611.1431.060



Positive opening operation according to DIN EN 60947-5-1 IEC 60947-5-1



Latching according to DIN EN 418



Switching diagram

Switching symbol

Tolerance of tensile force $\pm 15\%$

Schutzvermerk nach DIN 34 beachten
Copyright reserved

Mechanical features

Enclosure:	Al-die cast
Cover:	Al-plate
Actuator:	Pull ring (Zn-die cast)

Ambient air temperature	-30°C up to +80°C
Contact type:	1 NC-contacts (locked), 1 NO-contacts (Zb)

Mechanical life:	1×10^6 switch operations
Switch frequency:	max. 20/min
Mounting:	4 x M5
Connection type:	4 screw connections (M4)
Conductor cross-section:	single core 0.5-1.5mm ² /litz wire with connector sleeve 0.5-1.5mm ²
Cable entry size:	2 x M20x1.5
Weight:	approx. 0,52kg
Rest facility:	Push button

Electrical features

Max. Voltage:	400 V AC
Max. enduring current:	1 th 16A
Max. inrush current:	according to IEC 60947-5-1, AC 15, DC 13
Standards:	according to EN 60947-1; EN 60947-5-1; EN 60947-5-5

Protection class (IP-Code):	IP65 according to EN 60529; DIN VDE 0470 T1
CSA:	10A 300V AC, A300 (same polarity)
Short circuit protection:	16A slow-acting, 20A quick acting

Remarks

The moving parts should be oiled periodically.
 Rope with accessories can be delivered on request.
 The rated protection class (IP-Code) is valid only at closed cover and when using an at least equivalent cable gland.

10.12.2003