

# Technical Data

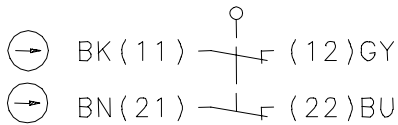
## Plastic bodied limit switch

### Series IF

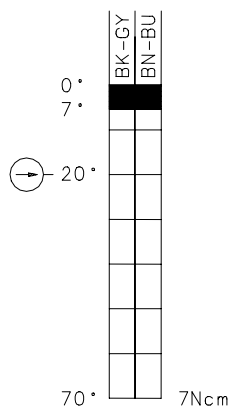
Description **IF-A2Z AH**

Article number **6089835013**

#### Operating symbol

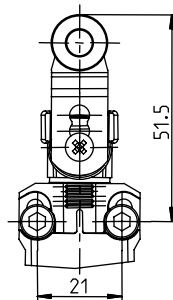


#### Operating diagram

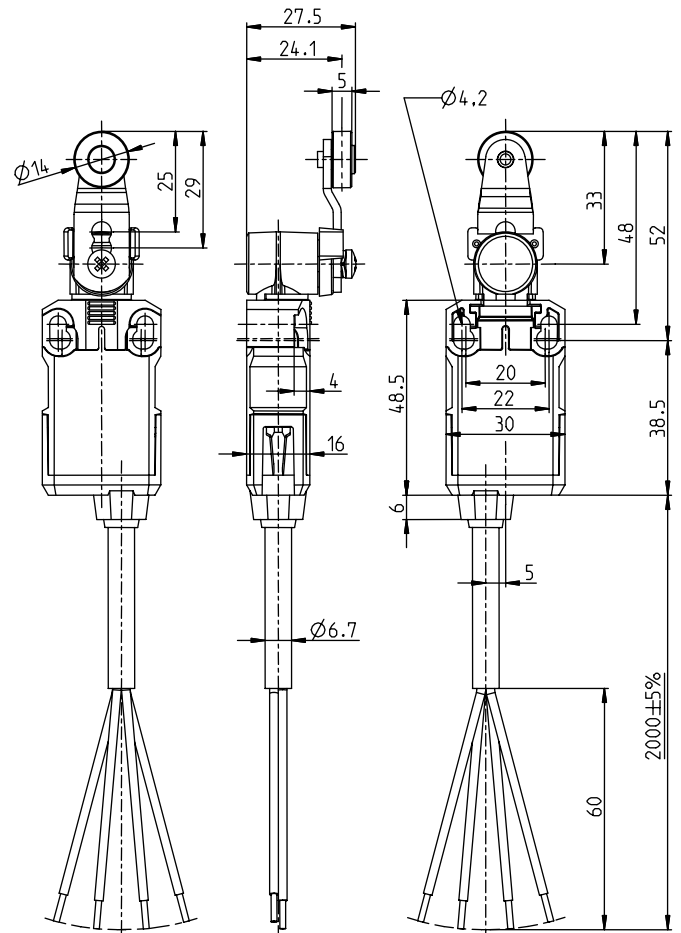


On  
 Off  
 Tolerance:  
 Operating point  $\pm 3,5^\circ$

Fixed positioning for safety applications



Mounting screw M5  
according to DIN 912 or  
DIN EN ISO 4762



#### Electrical data

Rated insulation voltage	$U_i$	250V AC
Conv. thermal current	$I_{the}$	10A
Rated operational voltage	$U_e$	240V
Utilization category		AC-15, $U_e / I_e$ 240V/3A
Direct opening action	$\ominus$	according to IEC/EN 60947-5-1, Annex K
Short-circuit protective device		Fuse 6A gL/gG
Protection class		II, totally insulated

This document will not become the contractual basis; the details included herein do not constitute any descriptions of expected conditions, so that warranties/claims for defects on account of possible variations of the actual qualities from the qualities described herein are explicitly excluded. All rights reserved. Specifications subject to change without notice!

Date of issue: 23.02.2007 / Page 1 of 2  
Document : 6089835013\_en / Last update : 4 / 2101-07

# Technical Data

## Plastic bodied limit switch

### Mechanical data

Enclosure	PA6 (glass fibre reinforced)
Cover	PA6 (glass fibre reinforced)
Actuator	Lever arm housing (Zn-DG), Lever arm (st), roller (thermoplastic)
Ambient air temperature	-25°C ... +70°C (cable in fixed position)
Contact type	Slow action, 2 NC (Zb)
Mechanical life	3 x 10 <sup>6</sup> switching cycles
Switching frequency	≤ 30/min
Assembly	2 x M4 or 2 x M5
Connection	Cable 4 x 0,75 mm <sup>2</sup>
Weight	≈ 0,20kg
Installation position	Operator definable
Protection type	IP67 acc. to EN 60529; DIN VDE 0470 T1

### Actuation

Operating direction: from 2 sides

The actuating head can be turned in steps of 90° by lifting the clamp. This means that it can be approached from 8 different directions.

### Standards

VDE 0660 T100, DIN EN 60947-1, IEC 60947-1  
VDE 0660 T200, DIN EN 60947-5-1, IEC 60947-5-1

### EU Conformity

CE

### Approvals

BG  
cCSA<sub>US</sub> A300, Q300

### Notes

The indicated protection class (IP-code) is only valid when the actuator is correctly mounted.