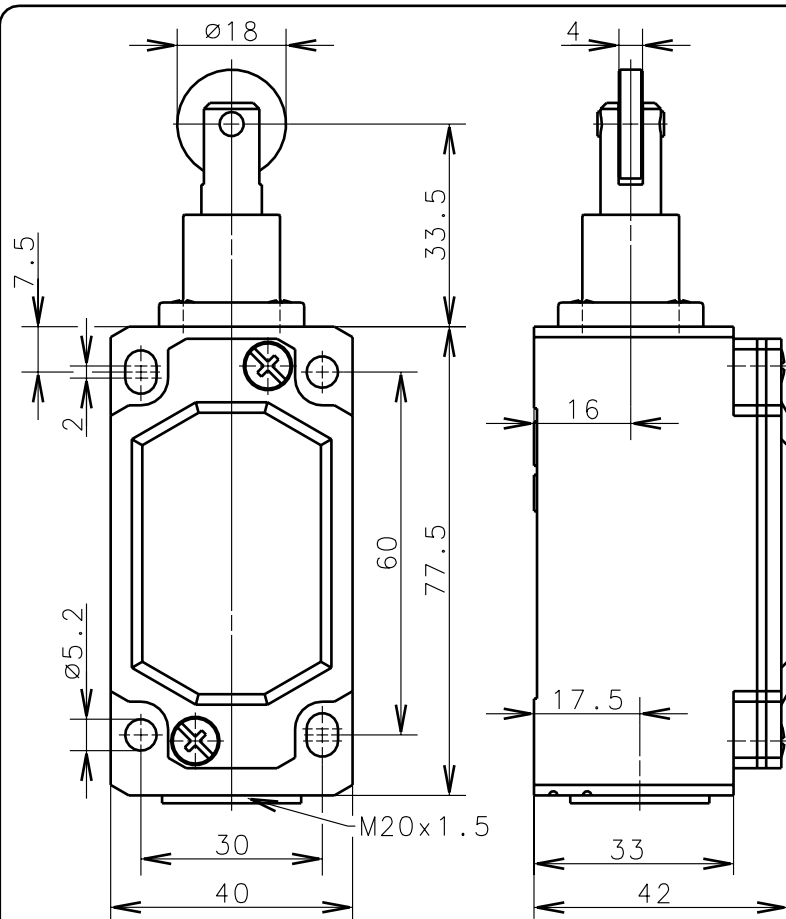
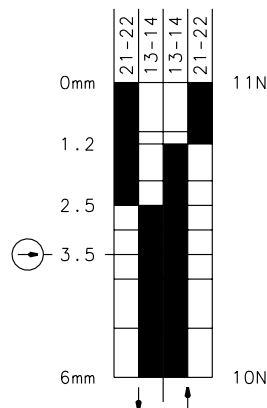
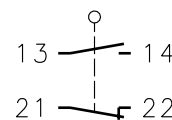


**Bernstein**Bernstein AG  
Postfach 1164  
D-32437 Porta Westfalica**Technical data sheet****ENM2-SU1Z Riw****608.7367.005**

Positive opening operation according to DIN EN 60947-5-1 IEC 60947-5-1



Switching diagram



Switching symbol

Tolerance: operating point  $\pm 3.5^\circ$   
operating torque  $\pm 10\%$ Schutzvermerk nach DIN 34 beachten  
Copyright reserved**Mechanical features**Enclosure: Al-die cast  
Cover: Al-plate  
Actuator: St-RollerAmbient air temperature:  $-30^\circ\text{C}$  up to  $+80^\circ\text{C}$   
Contact type: 1 NC-contact, 1 NO-contact (Zb)Mechanical life:  $10 \times 10^6$  switch operations  
Switch frequency: max. 100/min  
Mounting: 4 x M5  
Connection type: 4 screw connections (M3,5)  
Conductor cross-section: single core  $0.5\text{-}1.5\text{mm}^2$  / litz wire with connector sleeve  $0.5\text{-}1.5\text{mm}^2$   
Cable entry size: 1 x M20x1.5  
Weight: approx. 0,21kg**Electrical features**Rated insulation voltage:  $U_i = 400\text{ V AC}$   
Conventional thermal current:  $I_{the} = 10\text{ A}$   
Max. inrush current: according to IEC 60947-5-1; AC 15, A300  
Utilization categorie: AC 15, A300,  $U_e/I_e$  240V/3A  
Standards: according to EN 60947-1; EN 60947-5-1  
Protection class (IP-Code): IP65 according to EN 60529, DIN VDE 0470 T1  
Short-circuit protection: Fuse 2A gL/gG, IEC/EN 60947-5-1, appendix K**Approach possibilities**

By loosening the 4 screws the Actuation Assembly can be rotated in 90 degree increments such that 2 Actuation directions are possible. The Actuation Assembly is to be again fastened to the housing using the 4 screws.

**Remarks**The moving parts should be oiled periodically.  
The rated protection class (IP-Code) is valid only at closed cover and when using an at least equivalent cable gland.

14.02.02