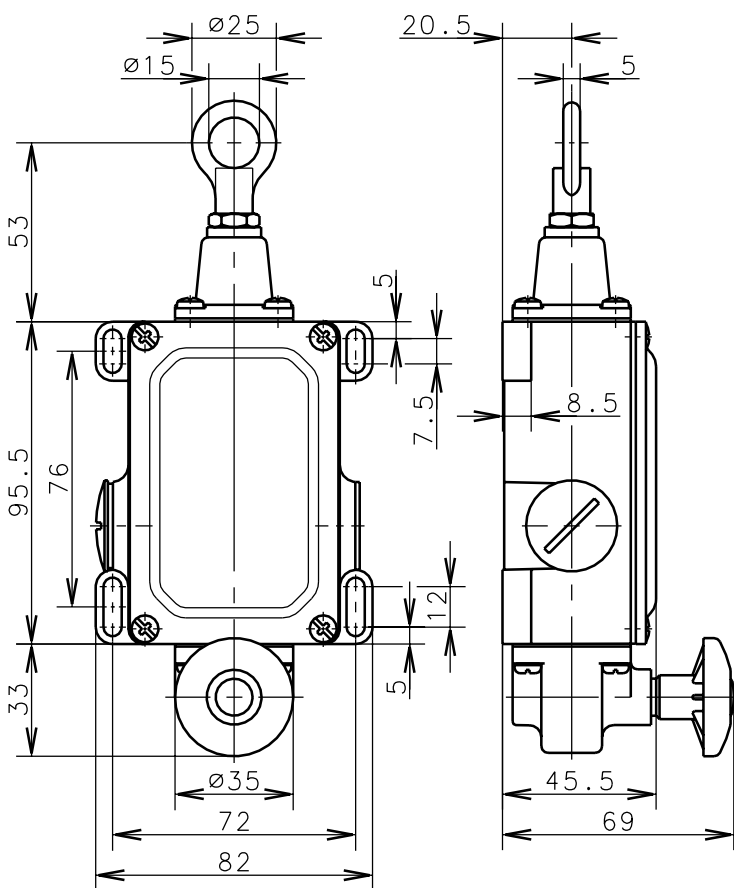


**Bernstein**Bernstein AG  
Postfach 1164  
D-32437 Porta Westfalica

# Technical data sheet

SiD-UV1Z Rast 601.2431.883

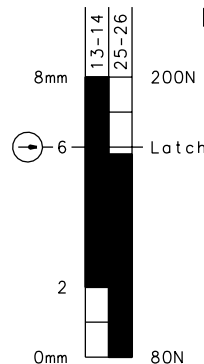


Positive opening operation according to DIN EN 60947-5-1 IEC 947-5-1

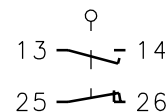


On Off

Latching according to DIN EN 418



Switching diagram



Switching symbol

Tolerance of tensile force  $\pm 15\%$ Schutzvermerk nach DIN 34 beachten  
Copyright reserved**Mechanical features**Enclosure: Al-die cast  
Cover: Al-plate  
Actuator: Pull ringAmbient air temperature:  $-30^{\circ}\text{C}$  up to  $+80^{\circ}\text{C}$   
Contact type: 1 NC-contact, 1 NO-contact (Zb)Mechanical life:  $1 \times 10^6$  switch operations  
Switch frequency: max. 20/min  
Mounting: 4 x M5  
Connection type: 4 screw connections (M4)  
Cable entry size: 2 x Pg16  
Weight: approx. 0,61kg  
Rest facility: Push button**Electrical features**Max. voltage: 500 V AC  
Enduring current: 1 th 16A  
Inrush current: accord. to IEC 947-5-1, AC 15, DC 13  
Standards: accord. to EN 60204; EN 60947-1; EN 60947-5-1  
Protection class (IP-Code): IP65 accord. to EN 60529, DIN VDE 0470 T1  
CSA: 10A 300V AC, A300 (same polarity)  
Short circuit protection: 16A slow-acting, 20A quick-acting**Remarks**The moving parts should be oiled periodically.  
Rope with accessories available on request.  
The planned protection class (IP-Code) is valid only at closed cover and when using an at least equivalent cable gland.

10.05.99