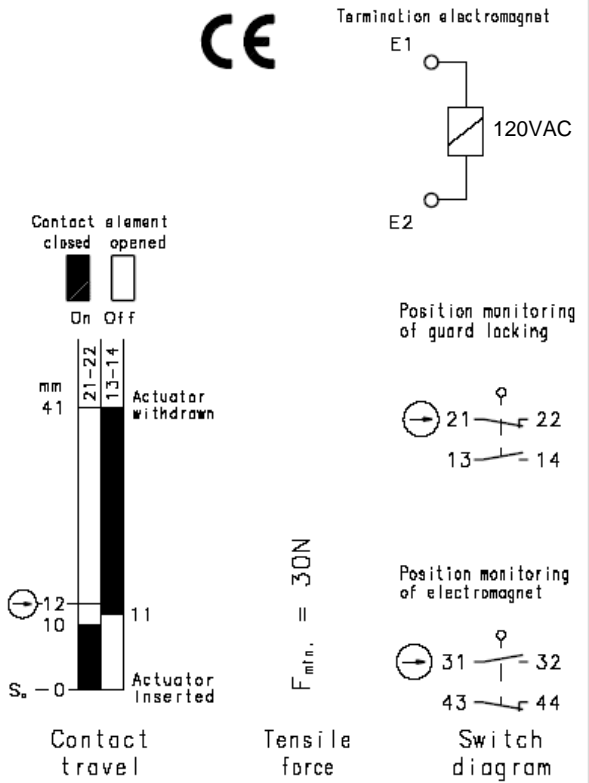
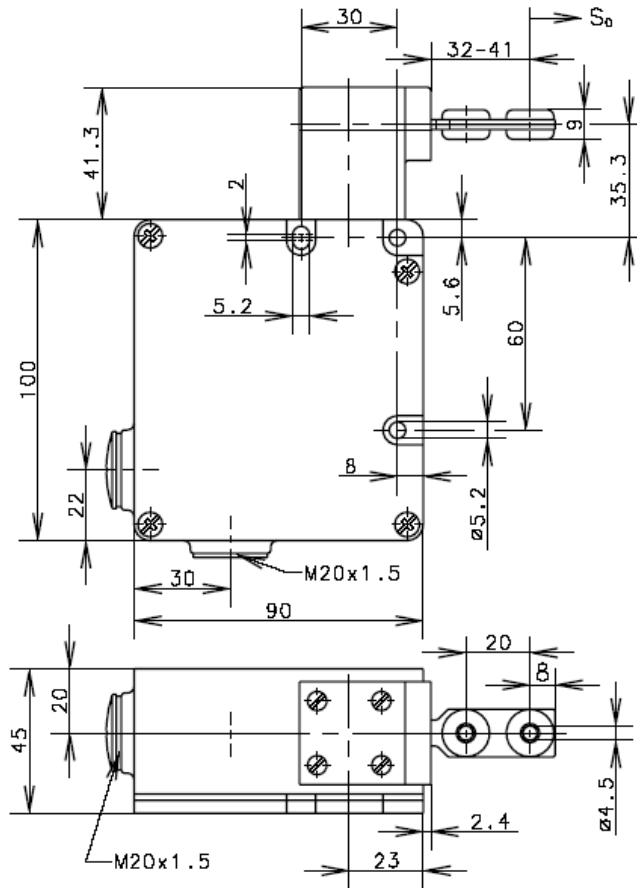


Type: SLM MVTW 120AC 55 Art.-No.: 6017119033 Date:



Contact operating force tolerance $\pm 15\%$

Mechanical features:	Electrical features:	Approvals:
Enclosure: Al-GD	Contacts elements	BG
Cover: Al-sheet	Rated insulation voltage U_i : 250V	UL B300, R300
Actuating head: Al-GD	Utilisation categorie: AC 12 250 V/10 A	CSA B300, R300
Separated actuator: St/PA	Utilisation categorie: AC 15 230 V/4 A	
Ambient air temperature: $-30^{\circ}C$ up to $+60^{\circ}C$		Standards:
Contact type: 2NC; 2NO (Zb)	Short circuit protection: DIAZED-safety implants Operating categorie gL/gG 10A TDz, 16A Dz	VDE D660 T100, EN 60947-1 VDE D660 T200, EN 60947-5-1
Switching principle: 4 slow make and break contact elements	Electromagnet:	IEC 60947-5-1
Mechanical life: 1×10^6 switch operations	Duty cycle: 100 % ED	GS-ET 19
Actuating radius: $R_{min.} = 400mm$	Temperature class: B	
Velocity for actuating: $V_{max.} = 1.5m/s$	Power consumption: $P_{2D} = 5.2W$	Remarks:
Mounting according DIN EN 50041 3 screws M5	Operating voltage: 120VAC	The moving protection class (IP-Code) is valid only at closed cover and when using an at least equivalent cable gland.
Termination cross section: $1mm^2$ flex.		
Terminals: 10 screws M3.5		
2 non-fused earthed conductor M4		
Cable entry size: 2 x M20x1.5		
Weight: approx. 0.81 kg		
Protection class (IP-Code): IP67 according to EN 60529; DIN VDE 0470 T1		
Build in location: selectable		
Locking principle: magnetic force		
Unlocking: spring force		
Locking force: 1000 N retaining force in locked position		
Safety instructions		
<ul style="list-style-type: none"> Do not use this safety switch as a mechanical end stop! In case of power interruption the position of rest of the protection apparatus will not be remain. Protection against self-starting should be provided. Four approach directions for actuator are available. Turning the actuator head (4x90°) only when the actuator is plugged in. Pre-travel actuator (compensation of shock and vibrations) approx. 9mm. 		

Schutzvermerk nach DIN 34 beachten
Copyright reserved