



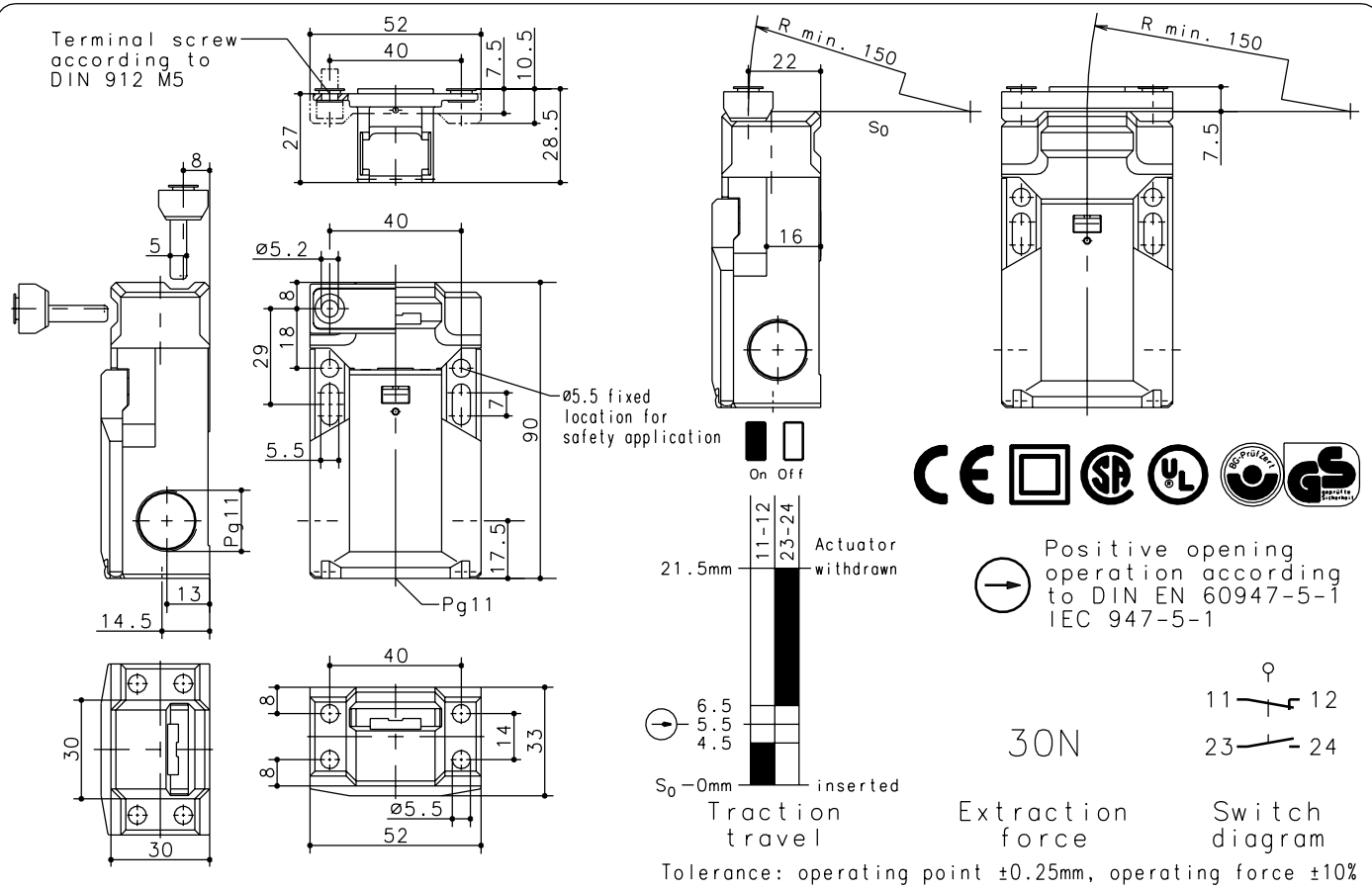
Bernstein

Bernstein AG
Postfach 1164
D-32437 Porta Westfalica

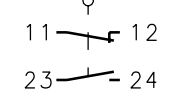
Technical data sheet

SK-U1Z F30 M

611.6119.109



Positive opening operation according to DIN EN 60947-5-1 IEC 947-5-1



Schutzvermerk nach DIN 34 beachten
Copyright reserved

07.11.2000

Mechanical features

Enclosure: Thermoplast, glass fibre reinforced (UL94-V0)
 Cover: Thermoplast, glass fibre reinforced (UL94-V0)
 Actuator: separate actuator (G-metal)
 Ambient air temperature: -30°C up to $+80^{\circ}\text{C}$
 Contact type: 1 NC-contact, 1 NO-contact (Zb)
 Mechanical life: 1×10^6 switch operations
 Switch frequency: 30/min
 Mounting: enclosure 2xM5; actuator 2xM5
 Connection type: 4 screw connections M3.5
 Conductor cross-section: single core 0.5-1.5mm² / litz wire with connector sleeve 0.5-1.5mm²

Cable entry size: 3 x Pg11
 Weight: approx. 0,15kg
 Mounting position: selectable
 Protection class (IP-Code): IP65 accord. to EN 60529, DIN VDE 0470 T1

The planned protection class (IP-Code) is valid only at closed cover and when using an at least equivalent cable gland.

Electrical features

Rated insulation voltage: $U_i = 500\text{V AC A300/ 150V DC R150}$
 Conventional thermal current: $I_{th} = 10\text{A AC/ 1A DC}$
 Utilization categorie: AC-15 / DC-13
 Short circuit protection: Fuse 10A gL/gG, IEC/EN 60947-5-1, appendix K
 CSA: 10A 300V AC, A300 (same polarity)

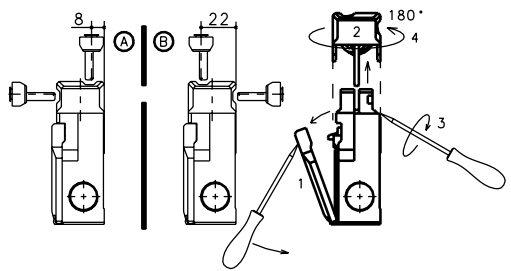
Approvals

CSA
UL
BG

Standards

VDE 0113, EN 60204, IEC 204
VDE 0660 T200, EN 60947-5-1 \rightarrow
IEC 947-5-1
GS-ET 15

Approach possibilities



Specials / Remarks

- Turning the cap (pos A/B) allow 4 different directions of drive
- Cover (1) has to be opened before turning the cap (2).
- Insert the screwdriver into the gap between housing and cap and turn until the cap snaps off.
- Remove the cap, turn it 180° (4), latch it into the housing and close the cover.
- Radial actuation may reduce the mechanical life.
- The min. radius refers to a pivot at the top of the cap.
- Unused actuator entry slot must be covered by the plug.
- Do not use the switch as end stop.