

# Technical Data

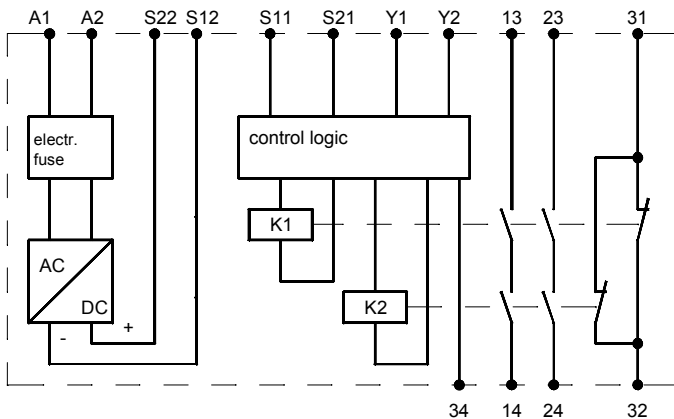
## Safety Relay Combination

### Series SCR

Description **SCR 4-W22-2.6-D2H**

Article number **6075111018**

Assembly and function  
(function circuit diagram)



13-14, 23-24  
safety outputs (N.O.)

31-32  
Auxiliary outputs for signaling (N.C.)



#### Electrical data

Supply voltage	$U_e$	24V AC/DC
Voltage range		0,85 ... 1,1 $U_e$
Frequency		50 ... 60 Hz
Power consumption appr.		2VA

#### Conductor data

conductor connection	2 x 1,5 mm <sup>2</sup> solid wire 2 x 1,0 mm <sup>2</sup> strand with wire end ferrule DIN VDE 46228
Max. conductor length (input circuit)	4 x 150 m
Conductor cross-section	4 x 1,5 mm <sup>2</sup>
Capacity	150 nF/km
Resistance	$\Sigma < 8 \text{ Ohm}$

This document will not become the contractual basis; the details included herein do not constitute any descriptions of expected conditions, so that warranties/claims for defects on account of possible variations of the actual qualities from the qualities described herein are explicitly excluded. All rights reserved. Specifications subject to change without notice!

Date of issue: 31.05.2005 / Page 1 of 2  
Document: 6075111018\_en / Status: 1 / 2360-05

# Technical Data

## Safety Relay Combination

<b>Contact data</b>	
Contact configuration	2 N.O. contacts / 1 N.C. contact
Contact type	Relay forcibly guided contacts
Contact material	AgSnO <sub>2</sub> flash gold or comparable material
Switching voltage	250V AC, 24V DC
Switching current	6 A
Utilization category (DIN EN 60947-5-1)	AC 15 230 V / 6 A; DC 13 24 V / 1,5 A
Max. switching capacity	1500 VA (ohms load)
Mechanical life	10 <sup>7</sup> operations
Electrical life	10 <sup>5</sup> operations
Creepage and clearance distances (DIN VDE 0110)	at pollution grade 2 Basis insulation: voltage category 3 Protective separation: voltage category 2
Contact protection	6,3A brisk or 4A inert DIN VDE 0660 part 200
Delay on deenergisation K1	< 30 ms
Coincidence time for the two hand control buttons	0,5 s
<b>PLC-output</b>	
voltage	>18 VDC
External load	R <sub>ext</sub> ≥ 2,4 kOhm
<b>Mechanical data</b>	
Enclosure material	Polyamide PA 6.6
Dimensions ( W x H x D )	22,5 x 114,5 x 99
Mounting	Click-fastening for DIN-Rail
<b>Environmental data</b>	
Operating temperature range	-25°C ... +55°C
Air humidity	Swap climate, 95%, 0 ... +50°C
Degree of protection, terminals	IP 20 DIN VDE 0470 part 1
Degree of protection, enclosure	IP 40 DIN VDE 0470 part 1
Shock resistance N.O./N.C. contacts	5g, 33 Hz VDE 0160
<b>CE - Conformity</b>	<b>CE</b>
<b>Approvals</b>	
	TÜV
	UL
	C-UL

This document will not become the contractual basis; the details included herein do not constitute any descriptions of expected conditions, so that warranties/claims for defects on account of possible variations of the actual qualities from the qualities described herein are explicitly excluded. All rights reserved. Specifications subject to change without notice!

Date of issue: 31.05.2005 / Page 2 of 2  
Document: 6075111018\_en / Status: 1 / 2360-05