

Rope Pull safety switches

SiRK

Plastic body
Two-sided spanning (max. 2x 75 m)
Protection class IP 65



Application

The SiRK rope pull safety switch has been developed for larger system spans in a corrosion free material. The SiRK can also be delivered with an indicator lamp.

Utilization

When larger machines or entire installations are to be protected, the emergency-stop command can be initiated from any point in the plant using rope-pull safety switches. This can be advantageous compared to individually mounted emergency-stop buttons when preventing injury to persons and damage to machinery. The SiRK can be adapted to suit a wide range of applications thanks to the individual selection of rope lengths and various mounting positions.

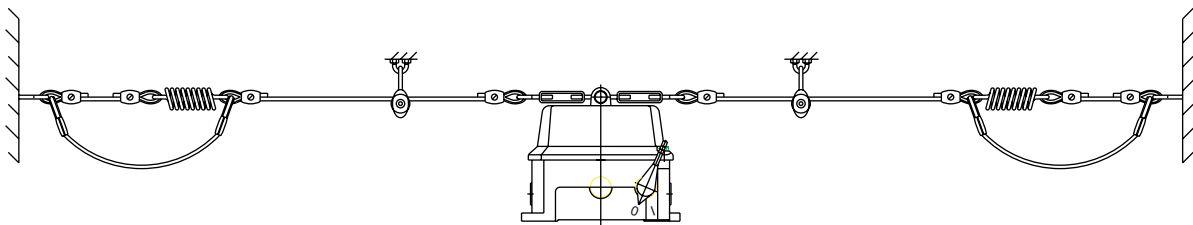
Construction

The plastic insulated body offers superior electrical protection for the user. The switching parts allow for wide range of multi-pole protective circuits. The switching mechanism has been constructed so that the switch remains in function even when the spring element has broken. Construction and function fulfil all requirements according to EN 418 and EN 60947-5-5.

Product characteristics

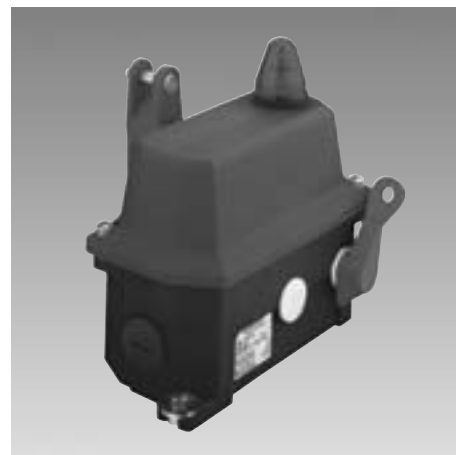
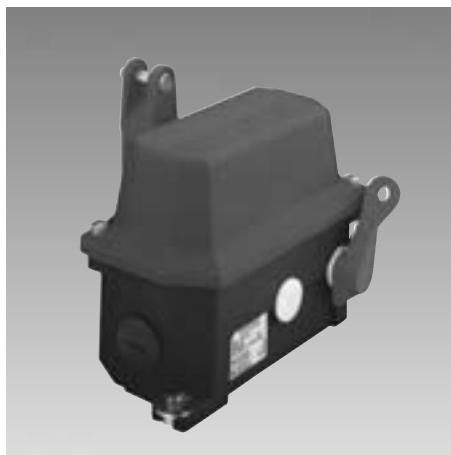
- Tamper-proof switching mechanism (EN 418)
- Automatic latching when pulled and by slack or broken rope
- Low actuating force
- Available with or without multi-voltage indicator lamp
- 6-pole terminal for daisy-chaining
- Maintenance-free construction
- Switching device simple to mount with 2 x M10 screws
- Enclosure lid simple to attach with 2 x M5 screws (captive)
- Protection class IP 65

System configuration



| Switch | Contacts | Function | Voltage | Current |
|-------------------|----------|--------------------------------|---------|---------|
| SiRK - U2Z R | 2NC/2NO | Latch function | 250 V | 10 A |
| SiRK - U2Z R MLED | 2NC/2NO | Latch function/indicator lamp* | 250 V | 10 A |

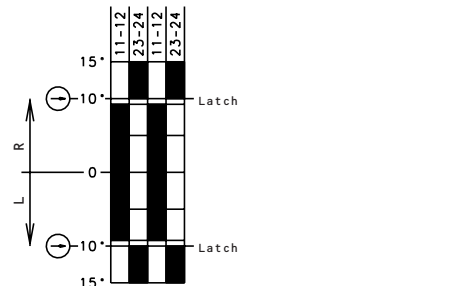
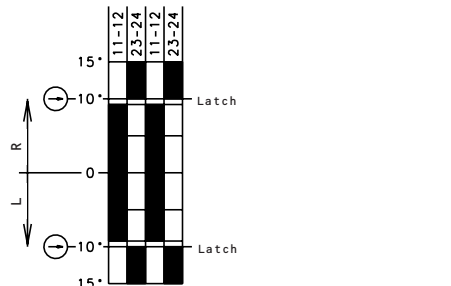
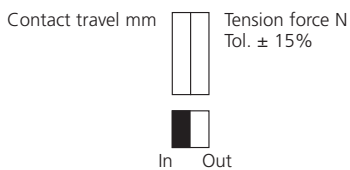
* Indicator lamp for multiple voltages with additional 6-pole terminal for daisy-chaining.



| | |
|---------------------------------------------------|--|
| Designation | |
| Part number | |
| Switching diagram | |
| ⊕ positive break according to IEC 947-5-1 Chap. 3 | |
| Zb: changeover contact is galvanically isolated | |
| Slow-action contact/snap-action contact | |
| Locking device | |
| Indicating lamp | |

| | | | |
|---------------------|--|---------------------|--|
| SIRK-U2Z R | | SIRK-U2Z R MLED | |
| 601.5625.001 | | 601.5625.002 | |
| | | | |
| ⊕ Zb | | ⊕ Zb | |
| ●/- | | ●/- | |
| ● | | ● | |
| - | | - | |

| | | | |
|--|--|--|--|
| | | | |
| | | | |
| | | | |
| | | | |
| | | | |
| | | | |
| | | | |
| | | | |
| | | | |
| | | | |



| | |
|-----------------------------------------------------|-----------|
| Voltage | max. |
| Continuous current | max. |
| Making current, acc. to IEC 947-5-1 AC 15/DC 13 | |
| Switching frequency | max. |
| Mech. operational life – number of switching cycles | |
| Ambient temperature | min./max. |
| Approvals | |
| Pending Approvals | |
| Cable inlet | |
| Weight | |
| Delivery: ex-stock/built to order | |

| | | | |
|---------------------|--|---------------------|--|
| 250 V AC | | 250 V AC | |
| 10 A | | 10 A | |
| ● | | ● | |
| 30/min. | | 30/min. | |
| 1 x 10 ⁵ | | 1 x 10 ⁵ | |
| -30 °C/+80 °C | | -30 °C/+80 °C | |
| -22 °F/+176 °F | | -22 °F/+176 °F | |
| BG, UL, CSA | | BG, UL, CSA | |
| 2x M 20 x 1.5 | | 2x M 20 x 1.5 | |
| 0.8 kg/1.8 lb | | 0.9 kg/2 lb | |
| ●/- | | ●/- | |

| | | | |
|--|--|--|--|
| | | | |
| | | | |
| | | | |
| | | | |
| | | | |
| | | | |
| | | | |
| | | | |
| | | | |
| | | | |

All dimensions in mm

