



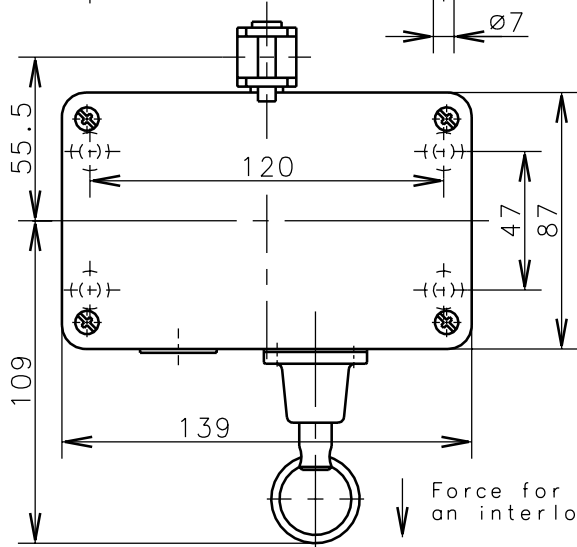
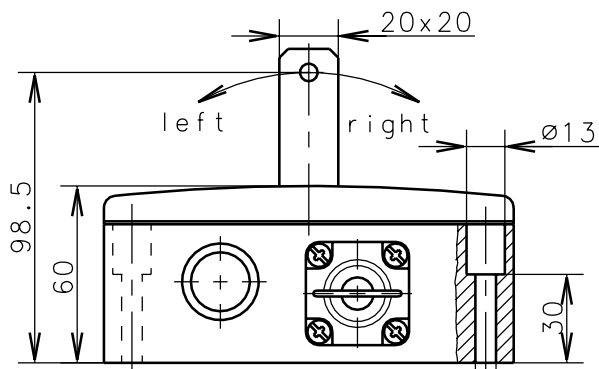
**Bernstein**

Bernstein AG  
Postfach 1164  
D-32437 Porta Westfalica

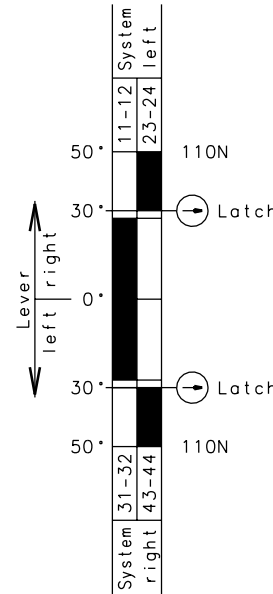
# Technical data sheet

Si1-U1Z/U1Z AK

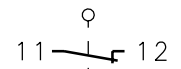
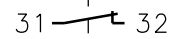
601.4735.025



Positive opening operation according to DIN EN 60947-5-1 IEC 947-5-1



Latching according to DIN EN 418



Switching diagram

Switching symbol

Tolerance: operating point  $\pm 5^\circ$ , tensile force  $\pm 15\%$

## Mechanical features

Enclosure: Al-sand cast  
 Cover: Al-sand cast  
 Actuator: Lever (st)

Ambient air temperature:  $-30^\circ\text{C}$  up to  $+80^\circ\text{C}$   
 Contact type: 2 NC-contacts, 2 NO-contacts (Zb)

Mechanical life:  $1 \times 10^6$  switch operations  
 Switch frequency: max. 10/min  
 Mounting: 4 x M6  
 Connection type: 8 screw connections (M3.5)  
 Conductor cross-section: single core 0.5-1.5mm<sup>2</sup> / litz wire with connector sleeve 0.5-1.5mm<sup>2</sup>  
 Cable entry size: 1 x Pg16  
 Weight: approx. 1,6kg  
 Rest facility: The lever locks at 30° degrees. To reset (the latching) by rotate pulling the key-ring.

## Electrical features

Max. voltage: 250 V AC  
 Max. enduring current: 1 th 10A  
 Max. inrush current: according to IEC 947-5-1  
 Utilization categorie: AC 15, A300 240V/3A, 120V/6A / DC 13, Q300 250V/0.27A, 125V/0.55A  
 Standards: according to EN 60947-1; EN 60947-5-1  
 Protection class: IP65 according to EN 60529; DIN VDE 0470 T1  
 Short circuit protection: Fuse 6 gL

## Remarks

The moving parts should be oiled periodically.  
 Rope with accessories available on request.  
 The planned protection class (IP-Code) is valid only at closed cover and when using an at least equivalent cable gland.

Copies are not retreated in case of alternations.

Schutzvermerk nach DIN 34 beachten  
Copyright reserved

13.06.2000