

# FURTIF VIGIL

STAND-ALONE without safety module

## NON CONTACT MULTICODED SWITCH : TOTAL SAFETY IN CATEGORY 4

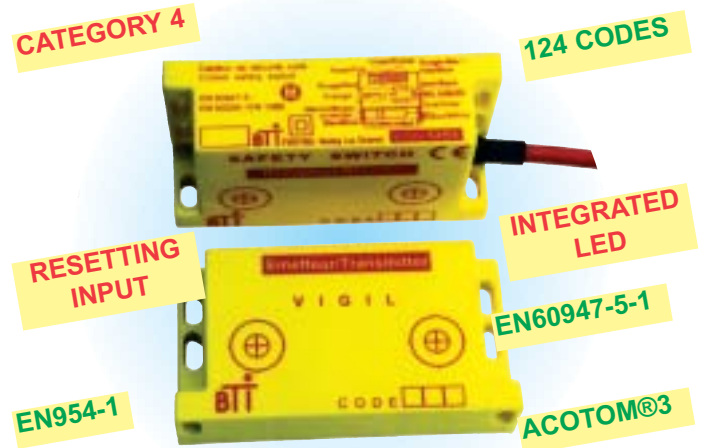
- Automatic self-control integrated
- 124 codes upon request (ref:001-124)
- Detecting distance/hysteresis/misalignment:  
10 /+2 /±9 mm
- 2 NO 2A/48V + 1NC 24V/250mA
- LED indicating switch condition
- Controlled manual resetting (ref+SXRS)
- Test loop
- Mounting brackets and moulded cable
- Polycarbonate housing
- Temperature -20°C to +60°C / Waterproof IP67

### SAFETY CATEGORY

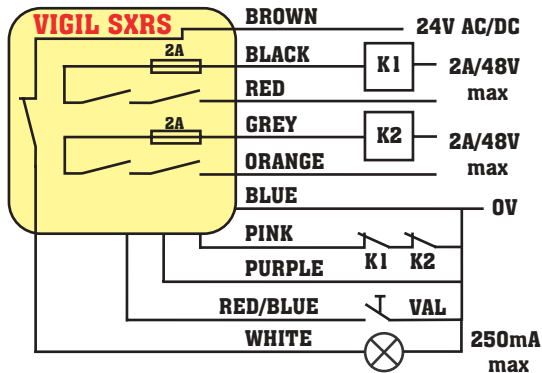
VIGIL SXRS : category 4\* according to EN 954-1

VIGIL SXR : category 3\* according to EN 954-1

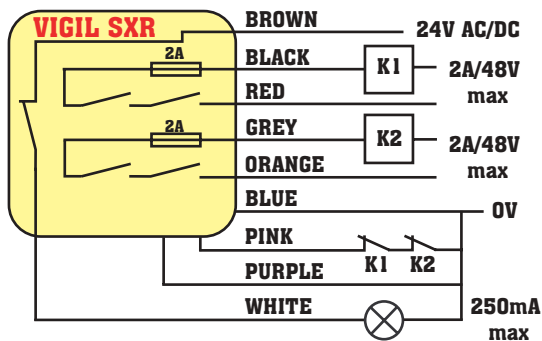
\*regardless of the number of switches in series



### WIRING DIAGRAM

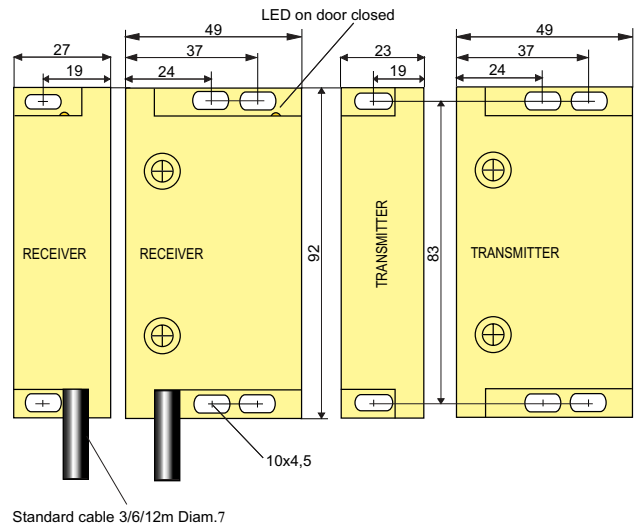


cat.4



cat.3

### DIMENSIONS



Vigil in case of failure



Our switches are equipped with a 2A fuse in order to guarantee electrical protection

### ADVICE

No place left in your electrical board? This switch does not need an external safety module to reach the highest safety level (detects even an accumulation of faults)

# DIAGRAMS

## APPLICATION DIAGRAMS

2 ACCESSES TO BE CONTROLLED IN CAT.4

CAT. 4 OF POWER PARTS

