

OPTOPUS DEC

WITH Awax safety module

NON-CONTACT AND CODED ELECTRONIC SWITCH FOR THE POSITION CONTROL

- Suited for small access area
- Decoding by Acotom®2 process
- Misalignment : ±3 mm up/down and left/right
- Detection distance/hysteresis : 5 /+2 (mm)
- LED indicating the switch condition
- Mounting brackets and moulded cable
- Polycarbonate housing
- Protection class IP67
- Temperature -20°C to +60°C
- Unlimited life expectancy (unlimited number of operations)

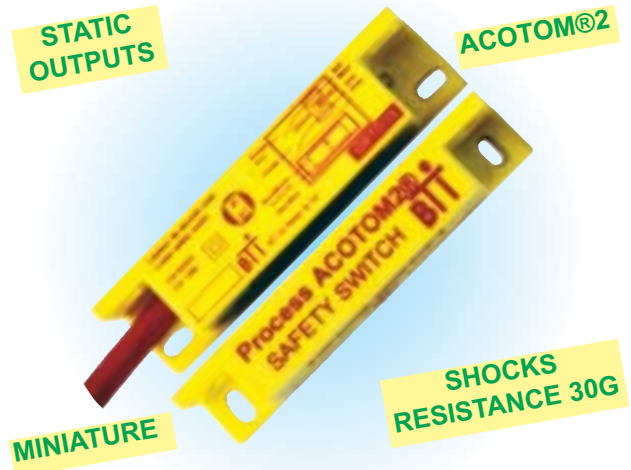
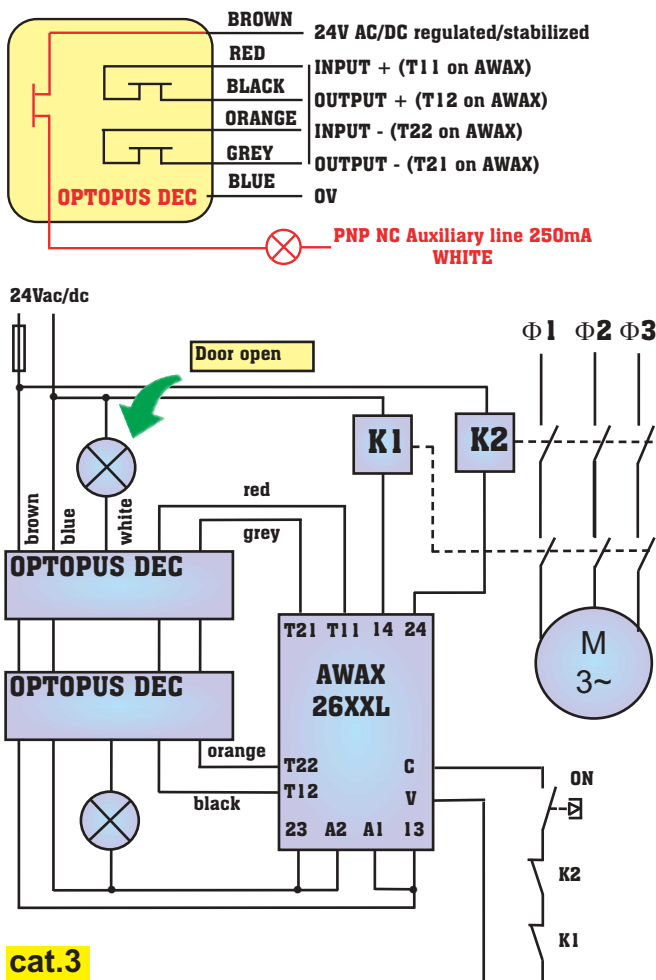
SAFETY CATEGORY

OPTOPUS : EN60947-5-3

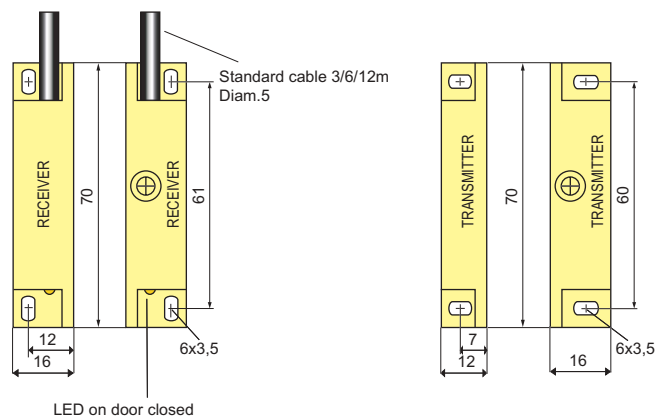
1 **OPTOPUS** with Awax : category 4

OPTOPUS in series with Awax : category 3

WIRING DIAGRAM



DIMENSIONS



ADVICE

Suited for trap doors and manholes. Up to 30 switches in series with only one AWAX safety module..