

# FURTIF AMX / INOX

STAND-ALONE without safety module

## NON-CONTACT AND CODED SAFETY SWITCH : TOTAL SAFETY IN CATEGORY 3 FOR HARD ENVIRONMENT

- Integrated self-control
- Detection distance/hysteresis/misalignment : 10 l+2 l±7 (mm)
- LED indicating the switch condition
- Mounting brackets and moulded cable
- Available with a M12 connector (AMX3/ AMX5)
- Polycarbonate housing
- Available with connector
- Protection class IP67
- Temperature -20°C to +60°C

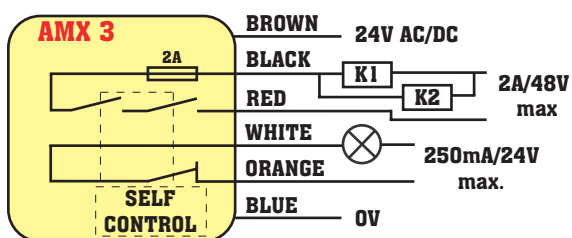
### SAFETY CATEGORY

AMX3 / AMX5 : category 3\* according to EN954-1

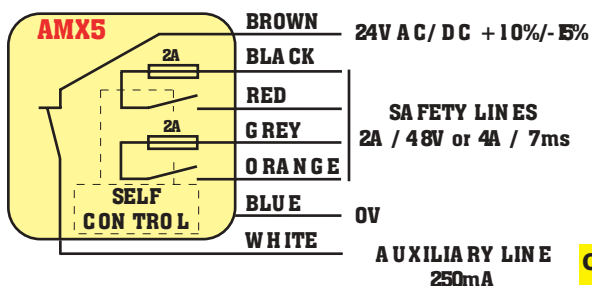
AMX5 : category 4\* with safety module

\*Regardless the number of switches in series

### WIRING DIAGRAM

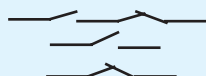


cat.3



cat.3

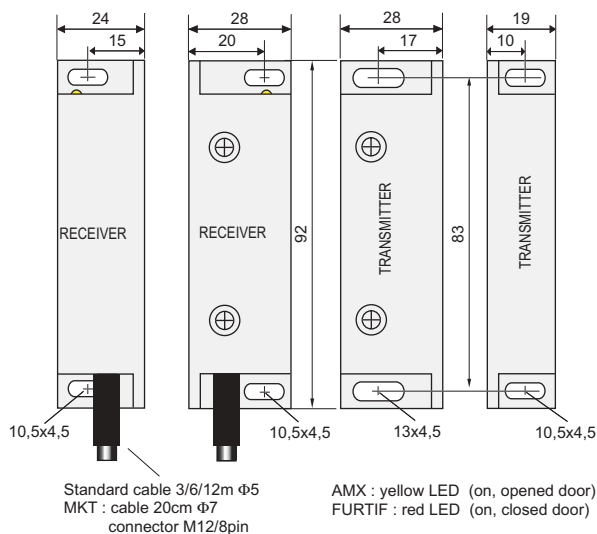
AMX 3 in case of failure  
AMX 5 in case of failure



Our switches are equipped with a 2A fuse in order to guarantee electrical protection.



### DIMENSIONS



### PIN DETAILS

FRONT VIEW

AMX3/MKT

FRONT VIEW

AMX5/MKT



- 1 white: NO1
- 2 brown: nc
- 3 blue: NC1
- 4 yellow: +24V
- 5 grey: 0V
- 6 pink: NO1
- 7 green: NC1
- 8 red: nc (nc : non connected)



- 1 white: NO2
- 2 brown: NO1
- 3 green: AUX
- 4 yellow: +24V
- 5 grey: 0V
- 6 pink: NO2
- 7 blue: NO1
- 8 red: nc (nc : non connected)

### APPLICATION

Control of the moving machine guards with a high tolerance of misalignment without using any safety module in the electronic board.