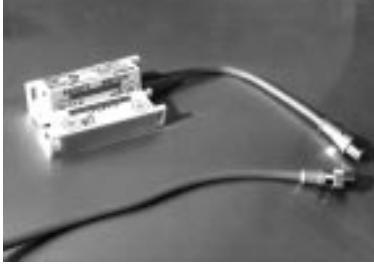


# ANATOM6S - technical data sheet



Thank you for your confidence in BTI products.  
This product has been designed and manufactured to the highest quality standards.



### 1. Application:

The ANATOM6S-MKT is a magnet coded sensor which, when it is wired with AWAX, can protect cranks and doors on dangerous machines. It uses the electronic process ACOTOM2®. Housing in two polycarbonate cases, one, the transmitter, the other, the receiver, it provide two NO static contacts.

Like all safety product, this sensor must be periodically verify.

### 2.Regulations:

The safety switch ANATOM6S-MKT follows the European Standards EN 60947-5-1/2, EN 954-1.

Protection index IP67 following DIN EN 60529.

### 3.Fixing and wiring:

With two square lugs, the two parts of ANATOM6S-MKT can be easily fixed with diam. 4mm screws (ZU4 washers provided).

Optional special anti tamper screws and tool.

The receiver is fitted out with a multiwire of diam. 5mm and length 20cm PVC with 4 waterproof locking plug pinouts.

### 4.Fonctionning:

The ANATOM6S-MKT is supplied with 24vDC voltage provide by safety relay AWAX.

When the two targets, on receiver and on transmitter are in line, and if codes are recognized, safety switches NO and led on the side of receiver switch on.

If code is not recognized or target in misalignment, led switch off.

For avoid to damage square lugs, 1mm distance between the two parts is necessary; the detection is available with 8mm distance. Detection through 6mm stainless steel or polycarbonate wall.

Indicator:

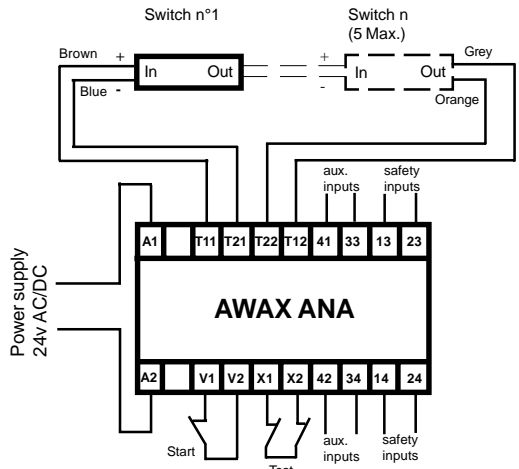
Led : Indicates the state of sensor

Yellow->door is close or detection of the code.

### 5.Technical characteristics

ANATOM6S-MKT		
Power supply	24vDC - 15% / +10%	
Current	30mA	
Safety outputs	24vDC / 500mA	
Detection / Hysteresis	8mm(0.315) / 3mm(0.118)	
Temperature	-25 °C / +70 °C	
Protection class	IP67	
Size L x l x h	Transmitter 92 x 23 x 18 mm	Receiver 92 x 23 x 23 mm
	Weight	Transmitter Polyc 90g

### 6. Wiring



### 7.Size mm(inch)

