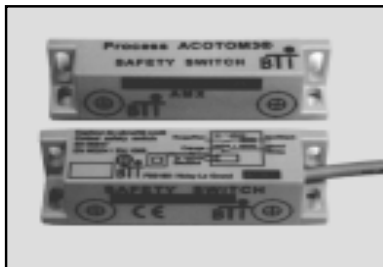


FURTIF AMX3 technical data sheet



Thank you for your confidence in BTI products.
This product has been designed and manufactured to the highest quality standards.



1. Application:

The sensor FURTIF AMX3 is an electromechanical coded sensor to protect cranks and doors on dangerous machines. It uses the electronic process ACOTOM3®, this sensor is the first in the world that can detect its own safety contact failure, and then open safety line. Housing in two polycarbonate cases, one, the transmitter, the other, the receiver, it provide one NO safety contact and an auxiliary NC static contact.

Like all safety product, this sensor must be periodically verify.

2.Regulations:

The safety switch FURTIF AMX3 follows the European Standards EN 60947-5-1/2, EN 954-1 and DIN VDE 0660-209.

Protection index IP67 following DIN 40050.

3.Fixing and wiring:

With two square lugs, the two parts of FURTIF AMX3 can be easily fixed with diam. 4mm screws (ZU4 washers provided).

Optional special anti tamper screws and tool.

The receiver is fitted out with a diam. 5mm and length 3, 6 or 12m PVC multiwire (other lengths on request).

4.Fonctionning:

The FURTIF AMX3 is supplied with 24v AC or DC voltage.

When the two targets, on receiver and on transmitter are in line, and if code is recognized, safety switch NO switch on, auxiliary NC switch off and yellow led on the side of receiver light on.

If code is not recognized, target in misalignement or failure detection of safety contact then led light off and safety line is open.

For avoid to damage square lugs, 1mm distance between the two parts is necessary; the detection is available with 8mm distance. Detection through 6mm stainless steel or polycarbonate wall.

Indicator:

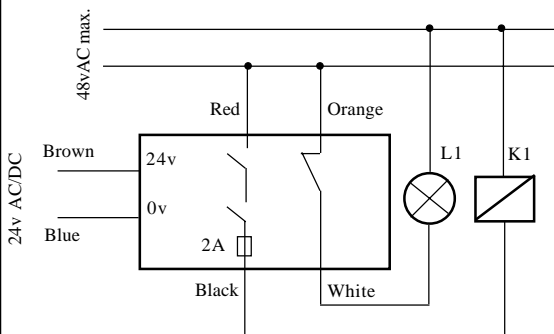
Led : Indicates the state of sensor

Yellow->detection of the code.

5.Technical characteristics

AMX3	
Power supply	24vAC/DC -15% / +10% 50/60Hz
Current	40mADC / 50mA AC
Safety contacts protection	Fast fuse 2A
Safety line	48vAC / 2A cos φ =1
Auxiliary line	24vAC/DC / 250mA cos φ =1
Detection / Hysteresis	8mm(0.315) / 3mm(0.118)
Temperature	-25 °C (-13°F) +70 °C (+158°F)
Max.frequency operating	2 Hz
Protection class	IP67
Life expextancy	50 000 000 d'opérations mécaniques
Size L x l x h	Transmitter 92 x 23 x 18 mm Receiver 92 x 23 x 23 mm
Weight	Transmitter 90g Receiver 210g

6. Wiring



*For to protect Safety line (internal 2A fuse), you can use external 1.6A fast fuse.

7.Size*

