

Technical Data

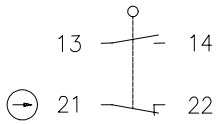
Plastic Switch

Series C2

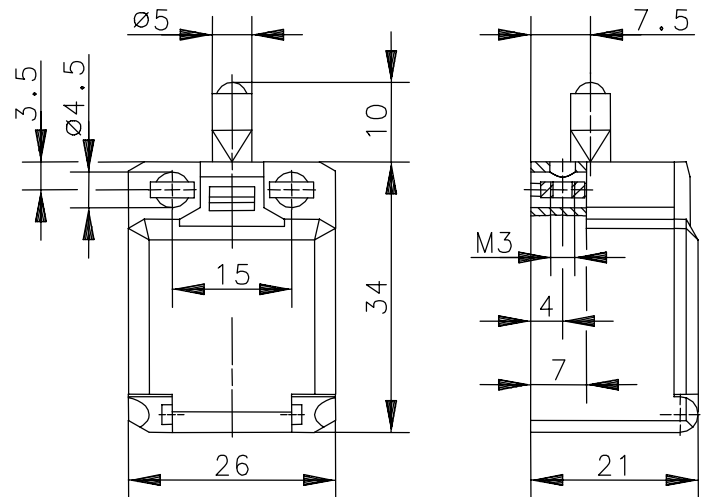
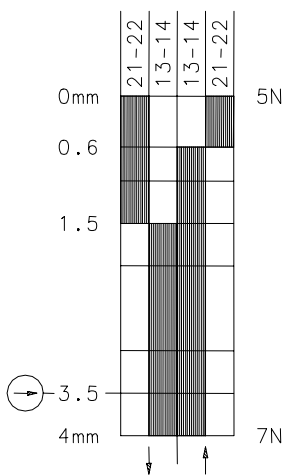
Description **C2-SU1Z**



Article number **6008351002**

Operating symbol




Operating diagram



  Tolerance:
 Operating point $\pm 0,25\text{mm}$;
 Actuating force: $\pm 10\%$

Electrical data

Rated insulation voltage	U_i	250V AC
Conv. thermal current	I_{the}	10A
Rated operational voltage	U_e	240V
Utilization category		A300, AC-15, U_e/I_e 240V/3A
Positive opening NC contact		IEC/EN 60947-5-1
Short-circuit protective device		Fuse 6A gL/gG IEC/EN 60947-5-1, Annex K
Protection class		II, totally insulated

This document will not become the contractual basis; the details included herein do not constitute any descriptions of expected conditions, so that warranties/claims for defects on account of possible variations of the actual qualities from the qualities described herein are explicitly excluded. All rights reserved. Specifications subject to change without notice!

Date of issue: 24.05.2004 / Page 1 of 2
 Document : 6008351002_en / Last update : 1 / 2264-04

Mechanical data

Enclosure	PBT
Cover	PC
Actuator	Push bolt (St)
Ambient air temperature	-30°C ... +80°C
Contact type	1 NC, 1 NO (Zb)
Mechanical life	3 x 10 ⁶ switching cycles
Switching frequency	≤ 100/min
Assembly	2 x M3
Connection	4 screw connections (M3,5)
Conductor cross-sections	Solid: 0.5 ... 1.5mm ² Litz wire with ferrules: 0.5 ... 1.5mm ²
Cable entrance	Rectangle 8,5 x 3,5mm
Weight	≈ 0,02kg
Installation position	Operator definable
Protection type	IP30 acc. to EN 60529; DIN VDE 0470 T1

Actuation

The push bolt actuator is mainly intended to be actuated along it's axis.
Side actuation will considerably reduce switch life.
The switch may not be used as a mechanical stop.

Standards	VDE 0660 T100, DIN EN 60947-1, IEC 60947-1 VDE 0660 T200, DIN EN 60947-5-1, IEC 60947-5-1
------------------	--

EU Conformity	CE
----------------------	-----------

Approvals

CSA
UL

Notes

The degree of protection (IP code) specified above applies solely when the cover is closed properly.